

USER MANUAL



Thank you for choosing Better Bathrooms.
Please read this manual before installing your product
and keep for future reference.

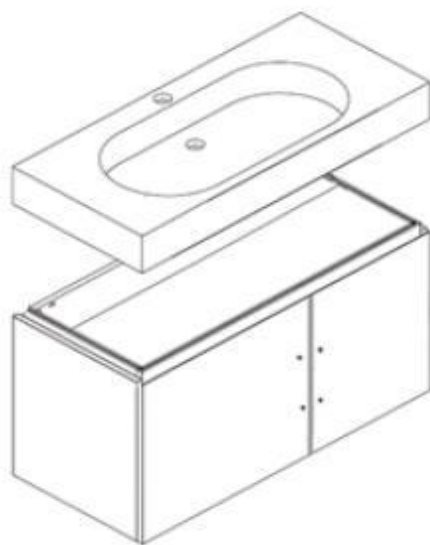
better 
bathrooms

Vanity Basin and Unit

- Vanity Basin and Unit are supplied in two separate boxes
- Waste pipe (basin connector) sold separately if a new installation

Product code/s:

BeBa_24969/BeBa_24970/BeBa_24971/BeBa_24972/BeBa_24973/BeBa_24974



Please note: Image is for illustrative purposes only and may differ slightly to the actual product

- **Multi person assembly**
- **Tools required**
- **We always recommend using professional tradespeople to install your product**

V1_01.11.21

Congratulations on your purchase

And welcome to our growing gang of savvy shoppers

We're on a mission to bring you extraordinary bathroom products, for less. From modern to traditional style ceramics, plus the gorgeous fixtures, fittings and furniture to match. So, you can fall in love with your space every single day.

As one of the UK's largest independent bathroom stores, we've received countless awards; including the National Business Awards UK, the Digital Entrepreneur Awards and being placed on The Sunday Times Fast Track 100.

We hope your new product goes above and beyond your expectations. However, should any problems occur, please:

- log in to your account and contact our customer services team via your self-serve portal – betterbathrooms.com/CustomerAccount/Login
- contact us via betterbathrooms.com/content/contact-us

Important information

- Please read these instructions thoroughly and retain for future reference
- Always check for pipes and wires before drilling



WARNING: Risk of personal injury or product damage:
Handle vitreous china products very carefully.
Vitreous china can break and chip if you overtighten bolts and nuts.

Parts

- Vanity Basin

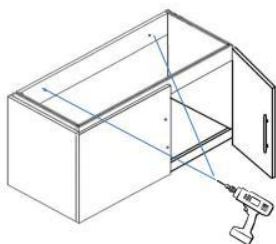
Tool Required

- Screwdriver
- Pencil
- Drill
- Sprit Level
- Drill Bit
- Silicone sealant
- Hammer

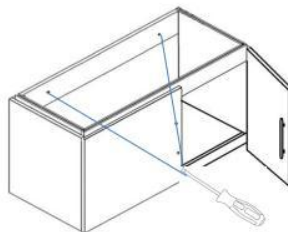
Installation

Please note: Before starting any installation, turn off the water supply

1
Check the wall for pipes and wires before drilling, drill through the back
plinth into the wall in the desired location, ensuring the unit is level

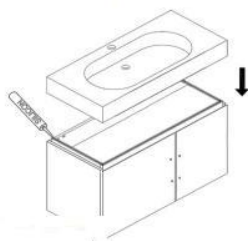


2
Secure the unit to the wall using a suitable wall fixing for your wall type
(fixings not supplied with unit) eg plug and screw for solid walls

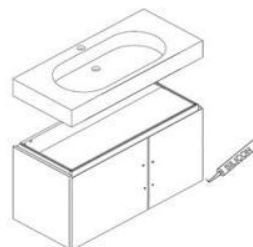


On receipt of the product check for damage prior to commencement of any installation.
Damage notified after or during installation will be deemed as installation damage

3
Apply a bead of silicone between the basin and the unit
Place the basin/top onto the unit, again ensuring all parts are level
Also apply silicone at any join between the basin and walls



4
It is recommended to silicone around the base of the unit, to prevent
water from passing between the unit and the floor



Leave all silicone to dry for at least 24 hours before use

Maintenance

All of the maintenance measures resulting from troubleshooting above requires you to turn off the water supply. Please refer to the instruction guide supplied with your basin for further guidance

Cleaning

To maintain the surface of your product, please ensure: The room is well ventilated. Excess water which may sit on the surface of the product is wiped dry. Any bathroom products used which may splash onto the surface are wiped clean and dry. Use only a clean damp cloth to wipe clean and a clean dry cloth to dry, do not use any abrasive cleaning agents/materials. Use of these will invalidate your guarantee

For more information

- visit betterbathrooms.com
- email customerservices@buyitdirect.co.uk
- call 0330 390 3062
- write to Trident Business Park, Neptune Way, Huddersfield, HD2 1UA

**better
bathrooms**

Part of the BuyItDirect Group